

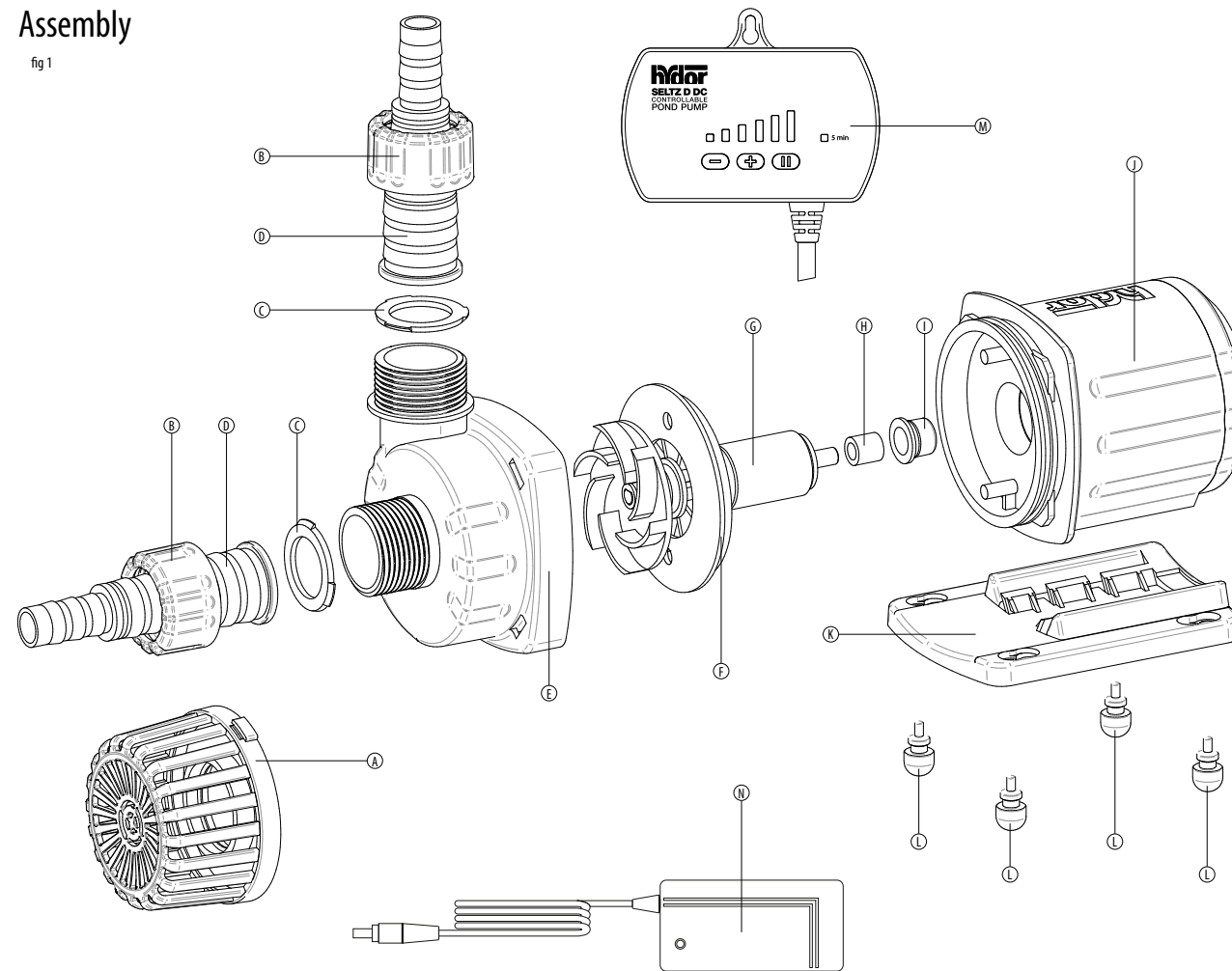
# SELTZ D DC Controllable Pond Pump User's Guide



- EN. The Safety instructions shall be read before using the appliance.
- DE. Bitte lesen Sie vor Gebrauch die Sicherheitshinweise sorgfältig durch.
- FR. Lire les consignes de sécurité avant d'utiliser l'appareil.
- ES. Las instrucciones de seguridad deben leerse antes de usar el dispositivo.
- IT. Le istruzioni di sicurezza devono essere lette prima di utilizzare il dispositivo.
- NL. De veiligheidsinstructies moeten worden gelezen alvorens het apparaat te gebruiken.

## Assembly

fig 1



## Adjustable pond pump

Dear Customer,  
Hydor would like to congratulate you on your purchase. Please read the following instructions carefully to ensure you get the most out of this electronically controlled pump.

### Description - fig. 1

- A. Prefilter
- B. Ring nut
- C. O-ring
- D. Stepped hose connector
- E. Chamber
- F. Chamber O-ring
- G. Impeller
- H. Ceramic bush
- I. Anti-vibration silicone insert
- J. Pump body
- K. Pump base
- L. Rubber feet
- M. Controller
- N. Transformer

### Installation

The Hydor Seltz D DC Pond pump must be positioned on a stable base at a point that is higher than the base of the pond (fig. 2a) to avoid debris settled on the bottom from being pulled into the pump; also, if it is in easy reach it will facilitate access for maintenance operations. The Seltz D DC Pond pump can also be externally sited in pits (fig. 2b). If necessary, connect the pump to the usage points (waterfalls, filters, etc.) with a hose of suitable length and diameter. Important: cut the stepped hose connector to the correct diameter to fit your hose (fig. 3). Once the pump is positioned connect it to the electronic controller with the special connectors (fig. 4). Position the pump controller (M) in a dry place, sheltered from moisture and dangerous water jets (guaranteed protection rating IP44). Do not connect the pump and the controller (M) to the transformer (N) and to the mains electricity network until you have scrupulously followed all the indications.

### Adjustment

The Seltz D DC Pond pump is fitted with an electronic flow regulator. To adjust the water flow rate to your needs simply press the + or - buttons (fig. 5). The blue LEDs will light up to indicate the flow rate, from the minimum to the maximum level setting.

### Meaning of the LED colours on the controller (M)

- A. Blue LEDs on: flow rate
- B. Orange 5 min LED on: FEED MODE enabled, the pump pauses for 5 minutes to enable you to feed your fish in peace and quiet.

### Maintenance

**ATTENTION:** Always disconnect the pump and any other appliance that is submerged in the pond before putting your hands in the water to carry out maintenance. Regular cleaning and maintenance will keep the pump in peak condition and prolong its life. Maintenance frequency will depend on the condition of the water; if it is particularly dirty increase the frequency of maintenance operations to maintain pump performance and a healthy ecosystem. Hydor recommends regular cleaning of the pump. Clean immediately if there is a drop in performance of the pump. After disconnecting the pump and the other appliances in the pond from the electrical supply, proceed as follows:

1. Remove the pump from the water and prepare to inspect it. Dismantle all the parts of the pump as illustrated in the diagrams (fig. 6-7).
2. Unscrew and remove any water features and divertors. Clean each part carefully with water from the pond.
3. Remove the prefilter from the pump and clean it with water from the pond. Never use solvents or detergents.
4. Remove the base (K) of the pump by sliding it towards the back of the pump, and remove the prechamber (E) by turning it slightly anti-clockwise.
5. Remove the impeller (G), clean and check for any signs of wear or damage.
6. Carefully check that the cable and pump body show no signs of damage. In the event of damage, the pump must be replaced.
7. Reassemble the pump following the above steps in reverse order.

To protect the pump from ice during the winter period, it is recommended to remove it from the pond, clean it thoroughly and check for any damage. Then immerse the pump in a container filled with clean water. Do not immerse the electric plug in the water! If the pump makes any unusual noises and/or there are any obvious drops in performance that could be attributed to abnormal voltage fluctuations, simply restart the pump to eliminate any air trapped inside it.

### Safety regulations

- This pump can be used as a submersible or external pump; if immersed, the liquid must not exceed 40° C. (104 °F).
  - Check that the voltage indicated on the label of the transformer (N) is the same as the voltage of the mains network.
  - Before connecting the device to the network, check that the cables, controller (M), transformer (N) and pump are not damaged in any way.
  - The cable for this pump cannot be replaced or repaired; if it is damaged contact customer service.
- ATTENTION:** Disconnect all the electrical appliances in the pond before placing your hands in the water and before beginning any maintenance operation.

### Warranty

This appliance is guaranteed against material and workmanship defects for a period of 24 months from the date of purchase. The warranty does not cover claims for damages or failure caused by improper installation or handling, by lack of maintenance, by the effects of ice or scale buildup, or by improper repairs. This warranty does not cover consumables and parts subject to wear and tear that are expected to require periodic replacement in order to maintain the condition and cleanliness of the product. The warranty certificate must be completed by the retailer and, if the product is returned, accompany the product together with a receipt or proof of purchase showing the date of purchase of the product.

### European Union: information for disposal of the appliance

This symbol means that, according to local laws and regulations, the product must be disposed of separately from household waste. When the product reaches the end of its life, take it to a collection point approved by local authorities. Some collection points accept products for free. Separate collection and recycling of the product helps conserve our natural resources, and ensures that the product is recycled responsibly in a way that will protect human health and the environment.

237804-01 04/19

N. Typ.

Guarantee Card  
Garantieschein  
Bono de Garantie  
Certificato di Garanzia  
Waarborgbon

Stamp and signature of seller  
Stempel und Unterschrift des Händlers  
Cachet et signature du revendeur  
Sello y firma del vendedor  
Timbro e firma del rivenditore  
Stempel en handtekening van de dealer

A quality product made by



Hydor  
Via Voiron, 27 - 36061  
Bassano del Grappa (VI) ITALY  
www.hydor.com

Hydor USA Inc.  
4740 Norngate Blvd, Suite 125,  
95834 Sacramento - CA USA  
www.hydor.com

**FOR NORTH AMERICA ONLY**  
For questions, missing parts or warranty issues:  
Please e-mail customer service at  
hydorusa.office@hydor.com

220-240 V~ 50 Hz			
Model	Power	Max head	Product size
Seltz D 1700 DC 24V Pond	22 W	2,1 m	120x67x95 mm
Seltz D 2700 DC 24V Pond	25 W	2,5 m	165x80x110 mm
Seltz D 3800 DC 24V Pond	30 W	3,2 m	165x80x110 mm

110-120 V~ 60 Hz			
Model	Power	Max head	Product size
Seltz D 425 DC 24V Pond	22 W	6,9 ft 2,1 m	4.7x2.6x3.7 in 120x67x95 mm
Seltz D 675 DC 24V Pond	25 W	8,2 ft 2,5 m	6.4x3.1x4.3 in 165x80x110 mm
Seltz D 950 DC 24V Pond	30 W	10,5 ft 3,2 m	6.4x3.1x4.3 in 165x80x110 mm

