

# SELTZ D Controllable Pond Pump User's Guide



N. Typ.

Guarantee Card  
Garantiechein  
Bon de Garantie  
Certificado de Garantia  
Waarborgbon  
保証

**SELTZ D**  
CONTROLLABLE  
POND PUMP

Date of sale  
Verkaufsdatum  
Date de vente  
Fecha de venta  
Data di vendita  
Verkoopdatum  
販売日

Stamp and signature of seller  
Stempel und Unterschrift des Händlers  
Cachet et signature du revendeur  
Sello y firma del vendedor  
Timbro e firma del rivenditore  
Stempel en handtekening vendeller  
スタンプと売り手の署名

A quality product made by



Hydor  
Via Voliron, 27 - 36061  
Bassano del Grappa (VI) ITALY  
www.hydor.com

Hydor USA Inc.  
4740 Northgate Blvd, Suite 125,  
95534 Sacramento - CA USA  
www.hydor.com

**FOR NORTH AMERICA ONLY**

For questions, missing parts or warranty issues:  
Please e-mail customer service at  
hydorusa.critice@hydor.com

237803-00/11-2018

- EN. The Safety instructions shall be read before using the appliance.
- DE. Bitte lesen Sie vor Gebrauch die Sicherheitshinweise sorgfältig durch.
- FR. Lire les consignes de sécurité avant d'utiliser l'appareil.
- ES. Las instrucciones de seguridad deben leerse antes de usar el dispositivo.
- IT. Le istruzioni di sicurezza devono essere lette prima di utilizzare il dispositivo.
- NL. De veiligheidsinstructies moeten worden gelezen alvorens het apparaat te gebruiken.

Model	Watt	Max head m	Max flow l/h	Cable length m	Product size mm
<b>220-240V/50Hz</b>					
Seltz D 6000 Pond	60 W	3,6 m	6000 l/h	10 m	195x89x119
Seltz D 9000 Pond	75 W	3,8 m	9000 l/h	10 m	210x89x119
Seltz D 12000 Pond	90 W	4,0 m	12000 l/h	10 m	210x89x119
Model	Watt	Max head ft	Max flow gph	Cable length ft	Product size in
<b>115V/60Hz</b>					
Seltz D 1600 Pond	60 W	11.8 ft	1600 gph	20 ft	7.6x3.5x4.7
Seltz D 2400 Pond	75 W	12.5 ft	2400 gph	20 ft	8.26x3.5x4.7
Seltz D 3200 Pond	90 W	13.2 ft	3200 gph	20 ft	8.26x3.5x4.7

## Assembly

fig 1

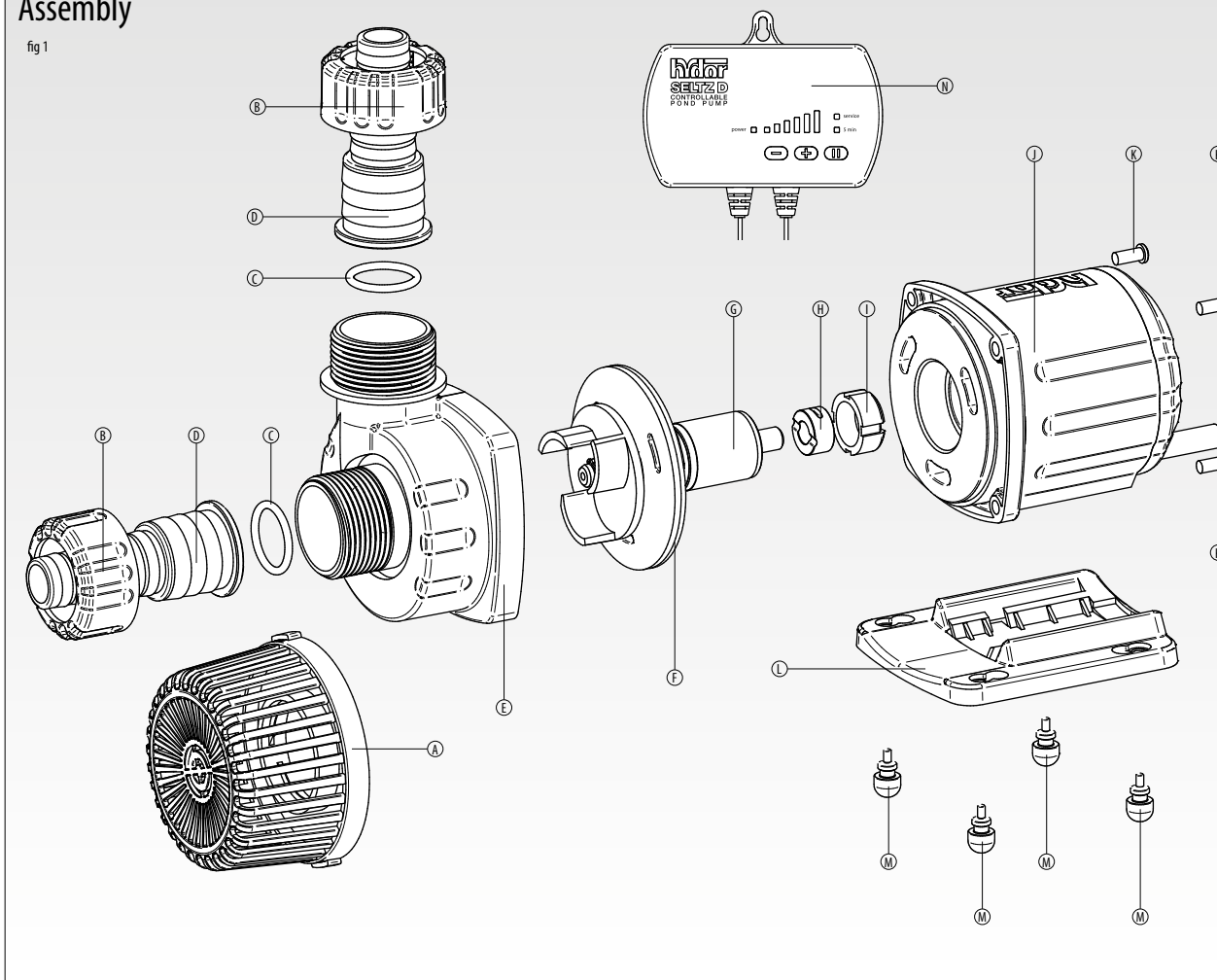


fig 2

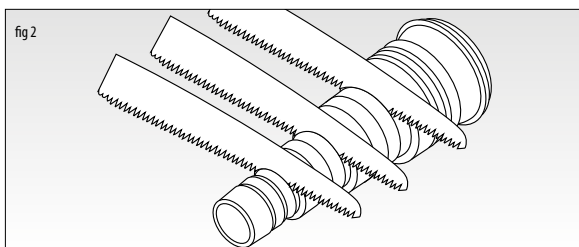


fig 3

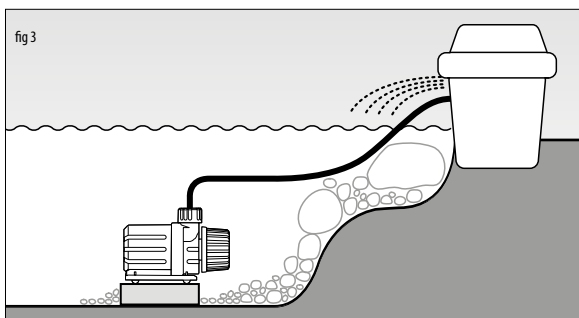


fig 3 a

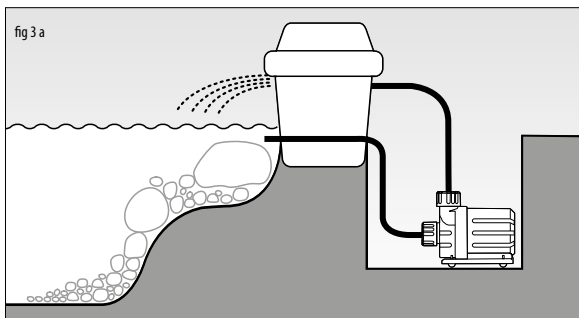


fig 4

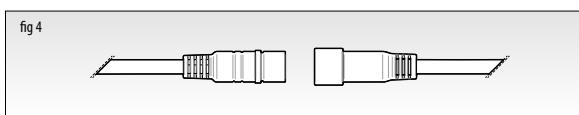


fig 5

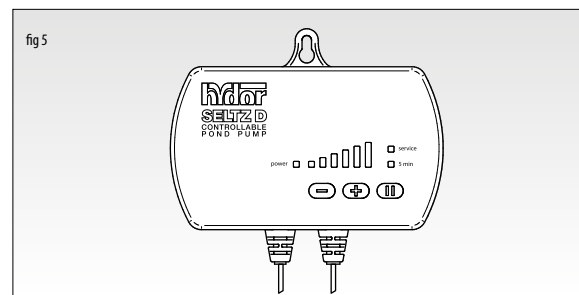


fig 6

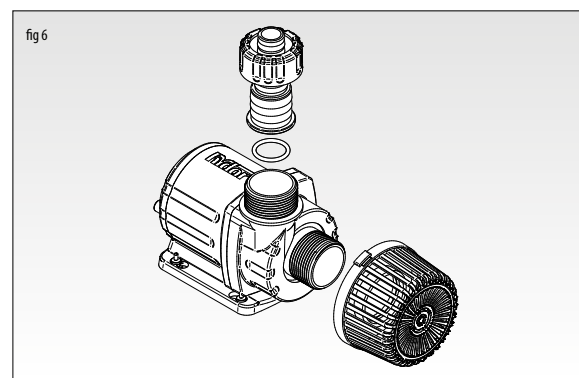
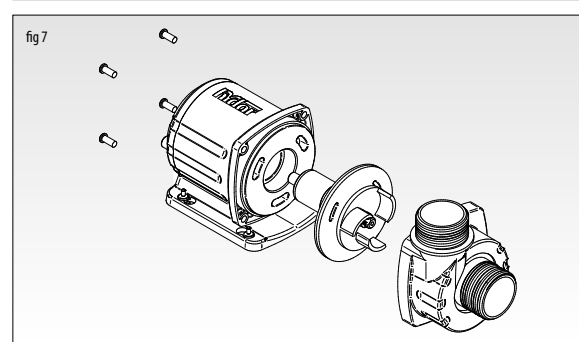


fig 7



## Adjustable pond pump

Dear Customer,

Hydor would like to congratulate you on your purchase. Please read the following brief instructions carefully to ensure you get the most out of this electronically controlled pump.

### Description - fig. 1

- A. Prefilter
- B. Ring nut
- C. O-ring
- D. Stepped hose connector
- E. Chamber
- F. Chamber O-ring
- G. Impeller
- H. Ceramic bush
- I. Anti-vibration silicone insert
- J. Pump body
- K. Chamber screws
- L. Pump base
- M. Rubber feet
- N. Controller

### Installation

The Hydor Seltz D Pond pump must be positioned on a stable base at a point that is higher than the base of the pond (fig. 3a) to avoid debris settled on the bottom from being pulled into the pump; also, if it is in easy reach it will facilitate access for maintenance operations. The Seltz D Pond pump can also be externally sited in pits (fig. 3b).

If necessary, connect the pump to the usage points (waterfalls, filters, etc.) with a hose of suitable length and diameter.

Important: cut the stepped hose connector to the correct diameter to fit your hose (fig. 2).

Once the pump is positioned connect it to the electronic controller with the special connectors (fig. 4).

Position the pump controller (fig. 5) in a dry place, sheltered from moisture and dangerous water jets (guaranteed protection rating IP44).

Only after having scrupulously followed the instructions can the pump and controller be connected to the electrical power source.

### Adjustment

The Seltz D Pond pump is fitted with an electronic flow regulator. To adjust the water flow rate to your needs simply press the + or - buttons (fig. 5). The blue LEDs will light up to indicate the flow rate, from the minimum to the maximum level setting.

### Meaning of the LED colours on the controller (N)

- a) Red Power LED on: the pump is energised
- b) Blue LEDs on: flow rate
- c) Red Service LED on: the pump is not working properly; disconnect it from the electrical power source to reset it.
- d) Orange 5 min LED on: FEED MODE enabled, the pump pauses for 5 minutes to enable you to feed your fish in peace and quiet.

### Maintenance

**ATTENTION:** Always disconnect the pump and any other appliance that is submerged in the pond before putting your hands in the water to carry out maintenance.

Regular cleaning and maintenance will keep the pump in peak condition and prolong its life. Maintenance frequency will depend on the condition of the water; if it is particularly dirty increase the frequency of maintenance operations to maintain pump performance and a healthy ecosystem. Hydor recommends regular cleaning of the pump. Clean immediately if there is a drop in performance of the pump.

After disconnecting the pump and the other appliances in the pond from the electrical supply, proceed as follows:

1. Remove the pump from the water and prepare to inspect it. Dismantle all the parts of the pump as illustrated in the diagrams (fig. 6-7).
2. Unscrew and remove any water features and deviators. Clean each part carefully with water from the pond.
3. Remove the prefilter from the pump and clean it with water from the pond. Never use solvents or detergents.
4. Undo the 4 screws from the chamber cover (fig. 7) to access the impeller chamber.
5. Remove the impeller (G), clean and check for any signs of wear or damage.
6. Carefully check that the cable and pump body show no signs of damage. In the event of damage, the pump must be replaced.
7. Reassemble the pump following the above steps in reverse order.

To protect the pump from ice during the winter period, it is recommended to remove it from the pond, clean it thoroughly and check for any damage. Then immerse the pump in a container filled with clean water. Do not immerse the electric plug in the water!

If the pump makes any unusual noises and/or there are any obvious drops in performance that could be attributed to abnormal voltage fluctuations, simply restart the pump to eliminate any air trapped inside it.

### Safety regulations

- This pump can be used as a submersible or external pump; if immersed, the liquid must not exceed 40° C. (104 °F).
- Make sure that the voltage on the label corresponds to the voltage of the supply power.
- Before connecting the appliance to the power supply, check that the cables, the controller and the pump show no signs of damage.
- The cable for this pump cannot be replaced or repaired; if it is damaged contact customer service.

**ATTENTION:** Disconnect all the electrical appliances in the pond before placing your hands in the water and before beginning any maintenance operation.

### Warranty

This appliance is guaranteed against material and workmanship defects for a period of 24 months from the date of purchase. The warranty does not cover claims for damages or failure caused by improper installation or handling, by lack of maintenance, by the effects of ice or scale buildup, or by improper repairs.

This warranty does not cover consumables and parts subject to wear and tear that are expected to require periodic replacement in order to maintain the condition and cleanliness of the product. The warranty certificate must be completed by the retailer and, if the product is returned, accompany the product together with a receipt or proof of purchase showing the date of purchase of the product.

### European Union: information for disposal of the appliance

This symbol means that, according to local laws and regulations, the product must be disposed of separately from household waste. When the product reaches the end of its life, take it to a collection point approved by local authorities. Some collection points accept products for free. Separate collection and recycling of the product helps conserve our natural resources, and ensures that the product is recycled responsibly in a way that will protect human health and the environment.

